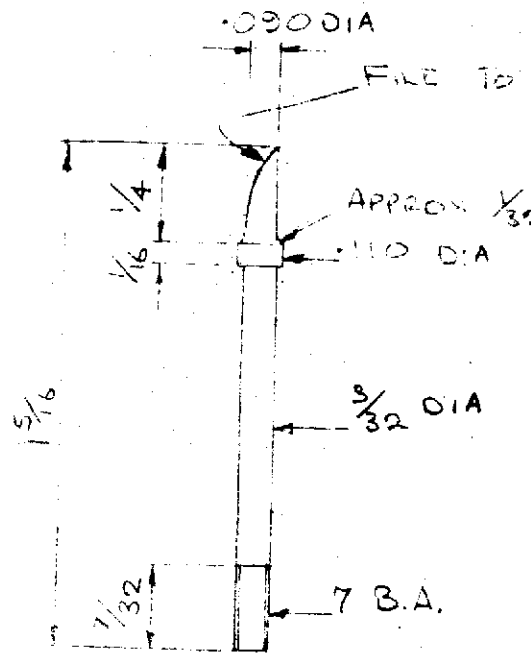
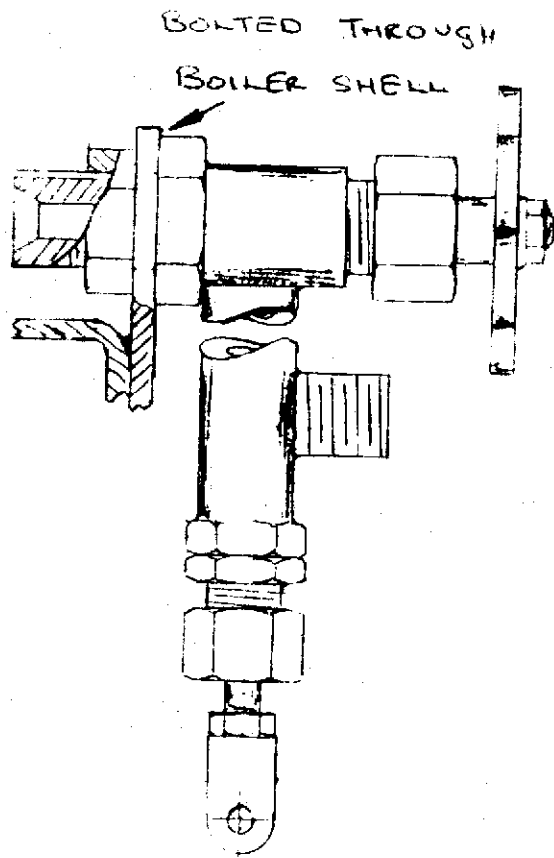


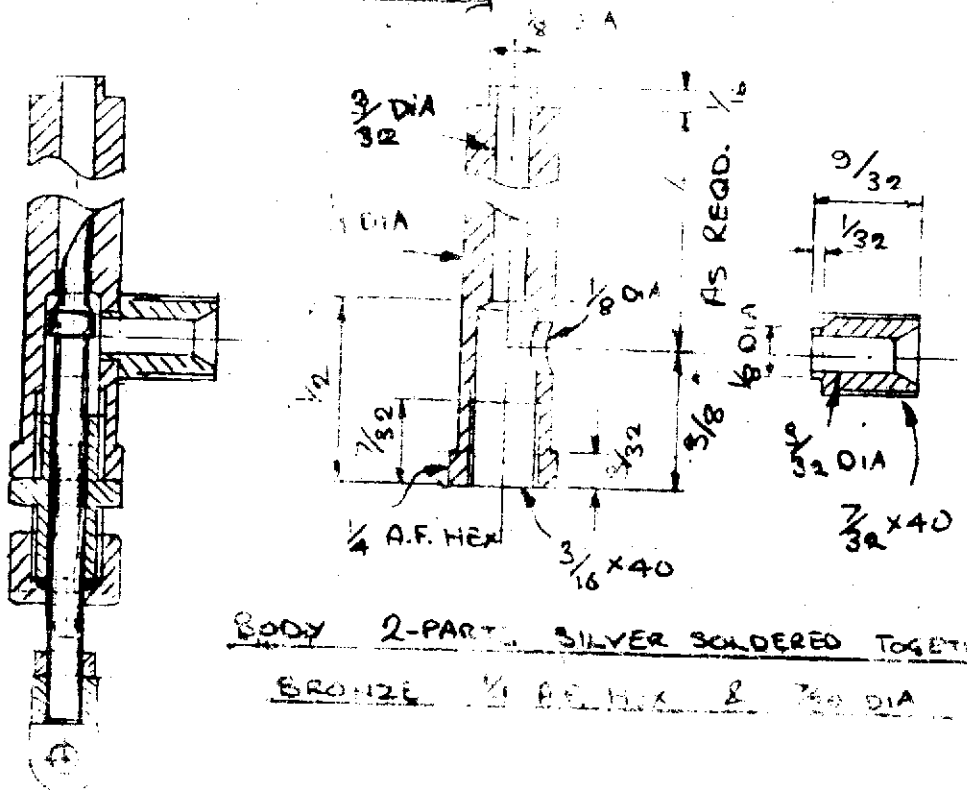
SAFETY VALVE

CHECK VALVE



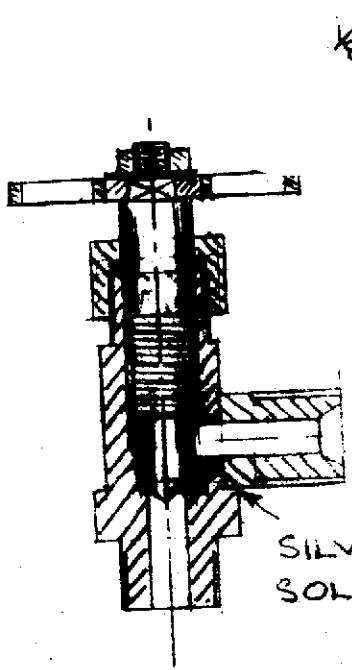
SPINDLE
NIKKLE SILVER OR
STAINLESS STEEL

LINEAR REGULATOR AND
MAIN STEAM VALVE SHOW
COMBINED INTO SINGLE FITTING

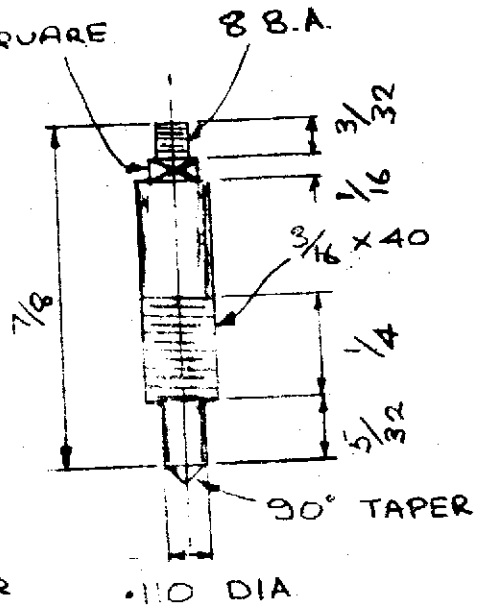


BODY 2-PART. SILVER SOLDERED TOGETHER
BRONZE 1/4 A.F. HEX & 7/32 DIA

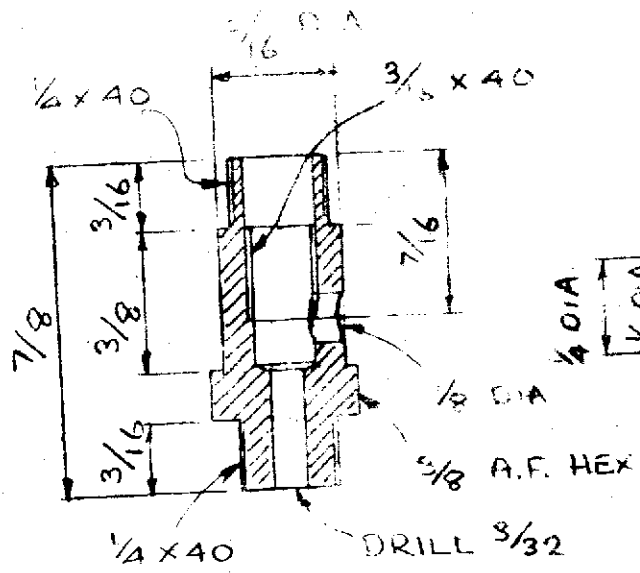
LINEAR REGULATOR



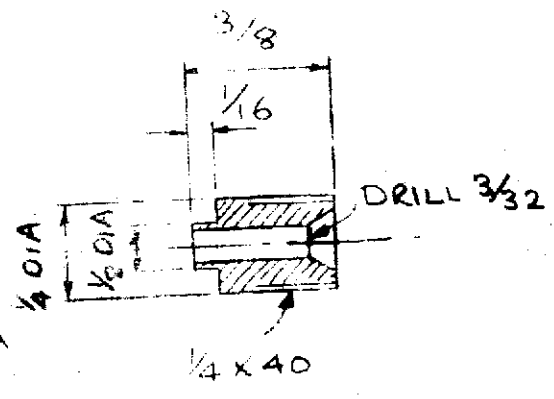
MAIN STEAM VALVE
(FOR HORIZONTAL BOILERS)*



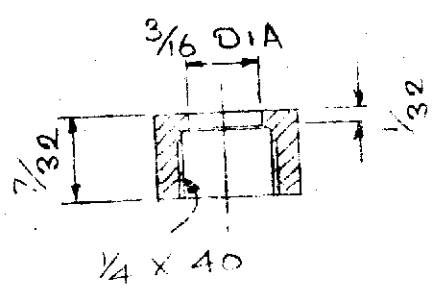
SPINDLE
NICKEL SILVER OR
STAINLESS STEEL 3/16 DIA



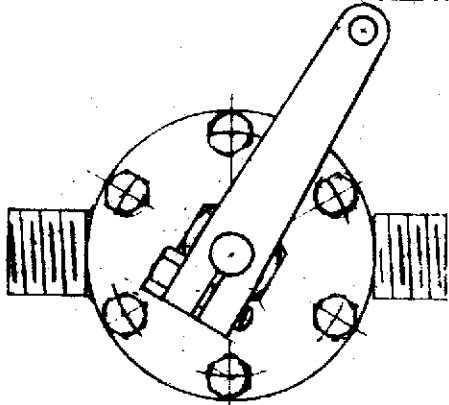
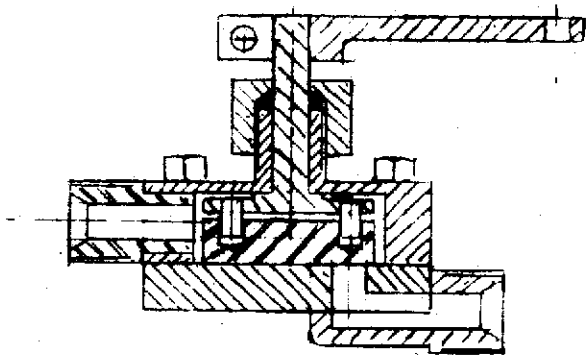
BODY. 2-PARTS SILVER SOLDER TOGETHER
BRONZE. 3/8 A.F. HEX & 1/4 DIA



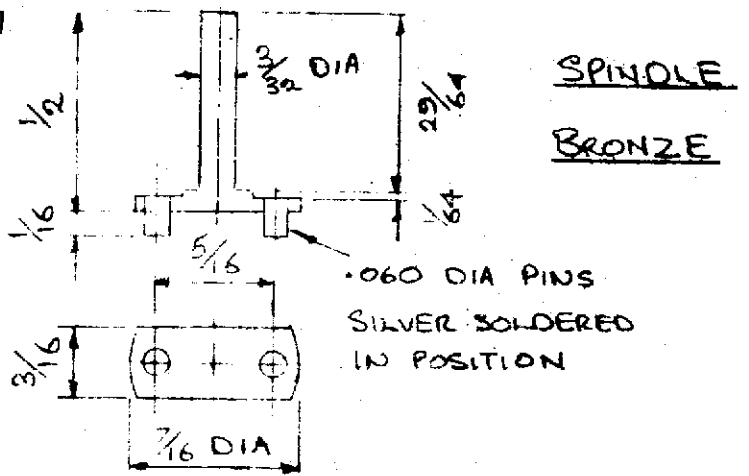
GLAND
BRASS. 5/16 A.F. HEX



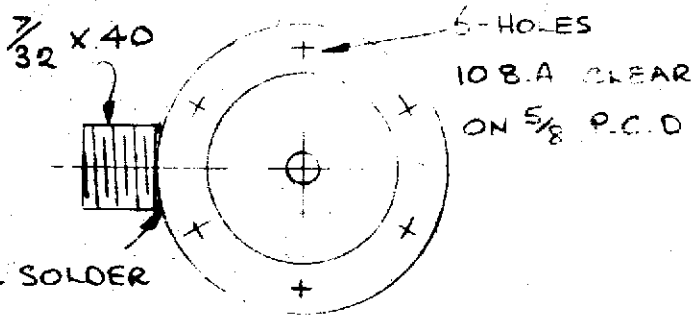
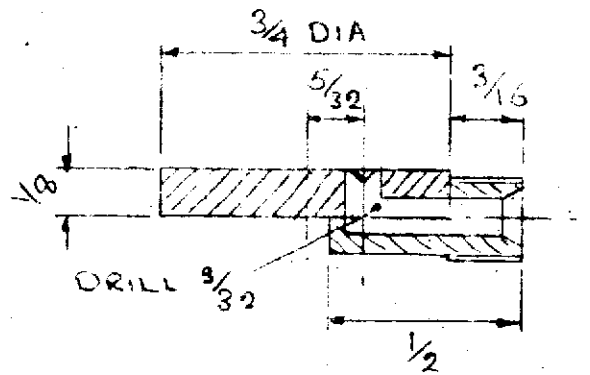
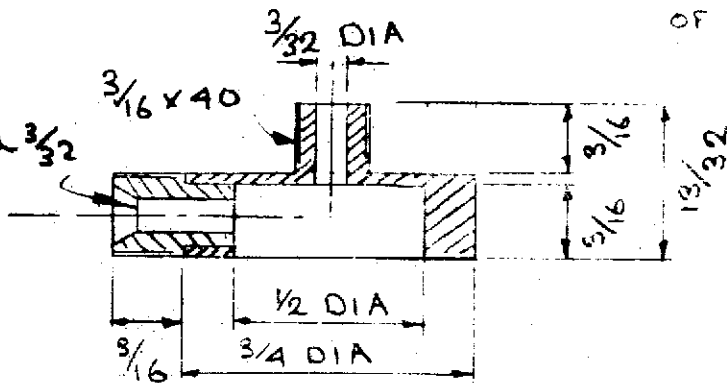
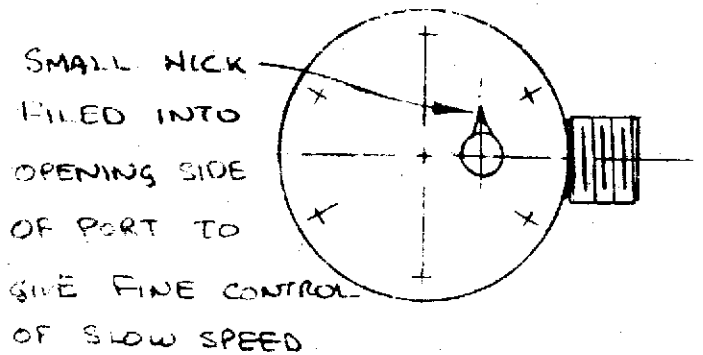
HANDWHEEL - AS FOR WATER GAUGE



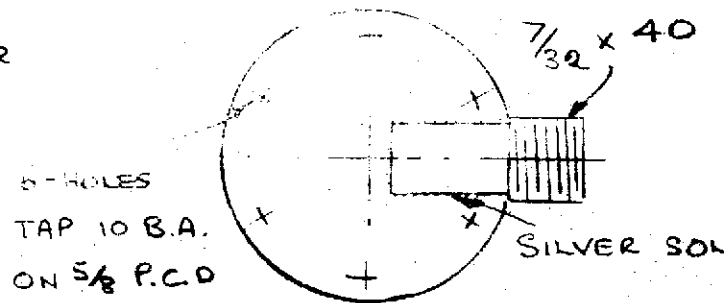
ROTARY REGULATOR



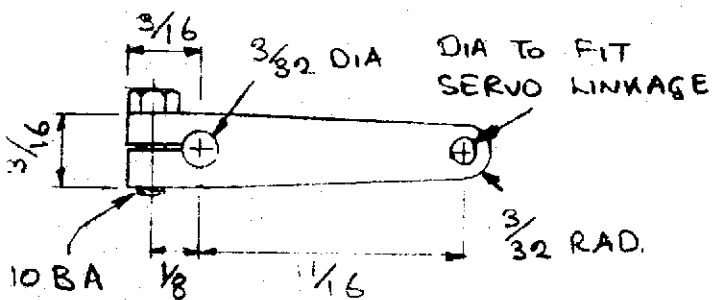
SPINDLE
BRONZE



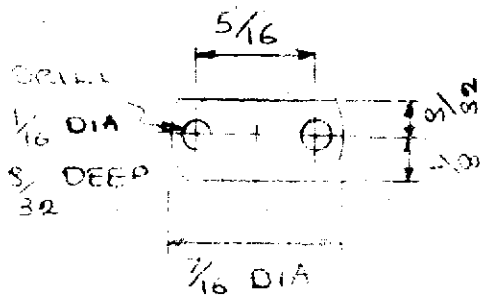
STEAM CHEST BRONZE



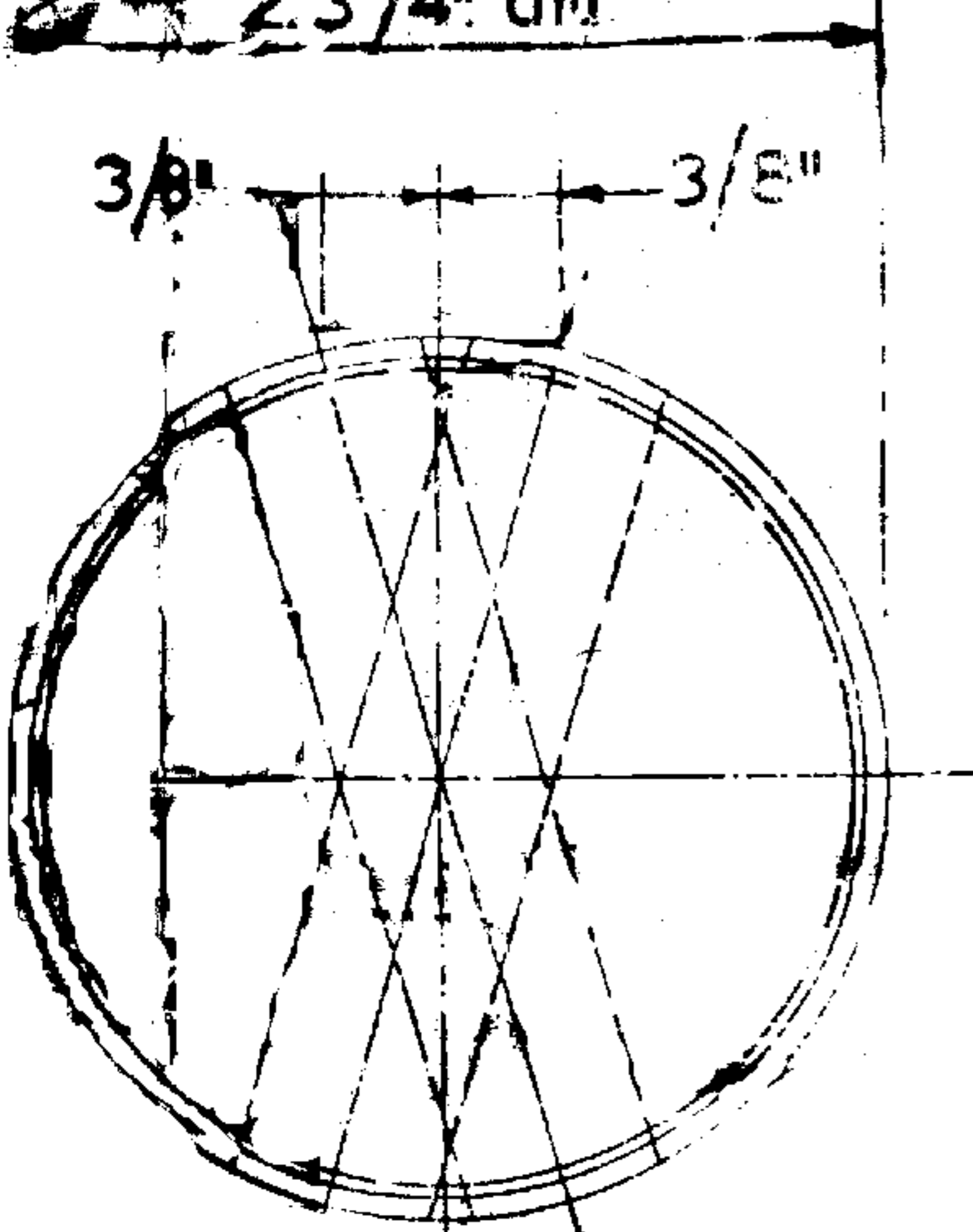
PORT FACE BRONZE



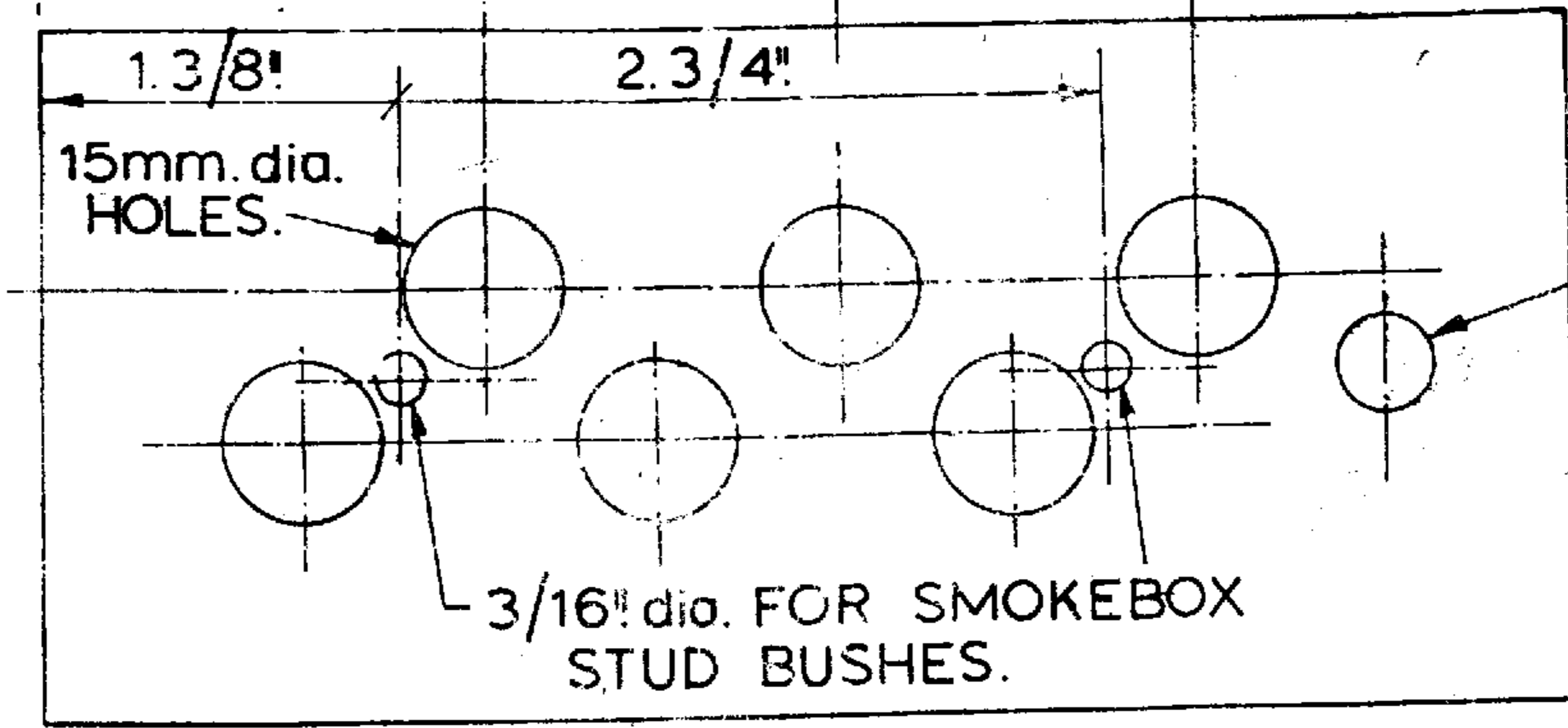
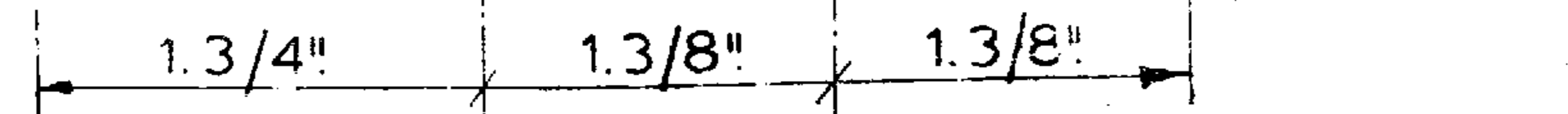
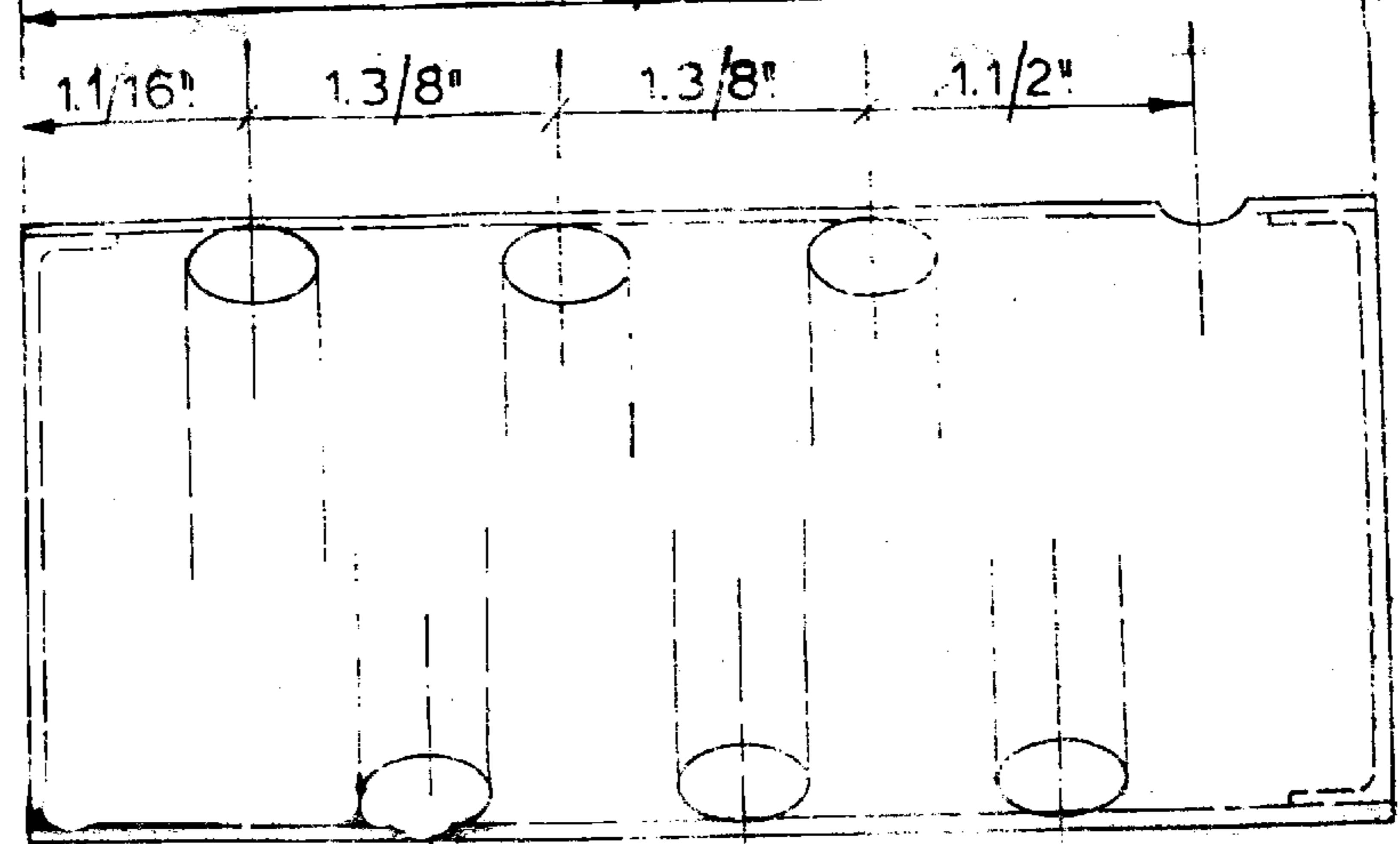
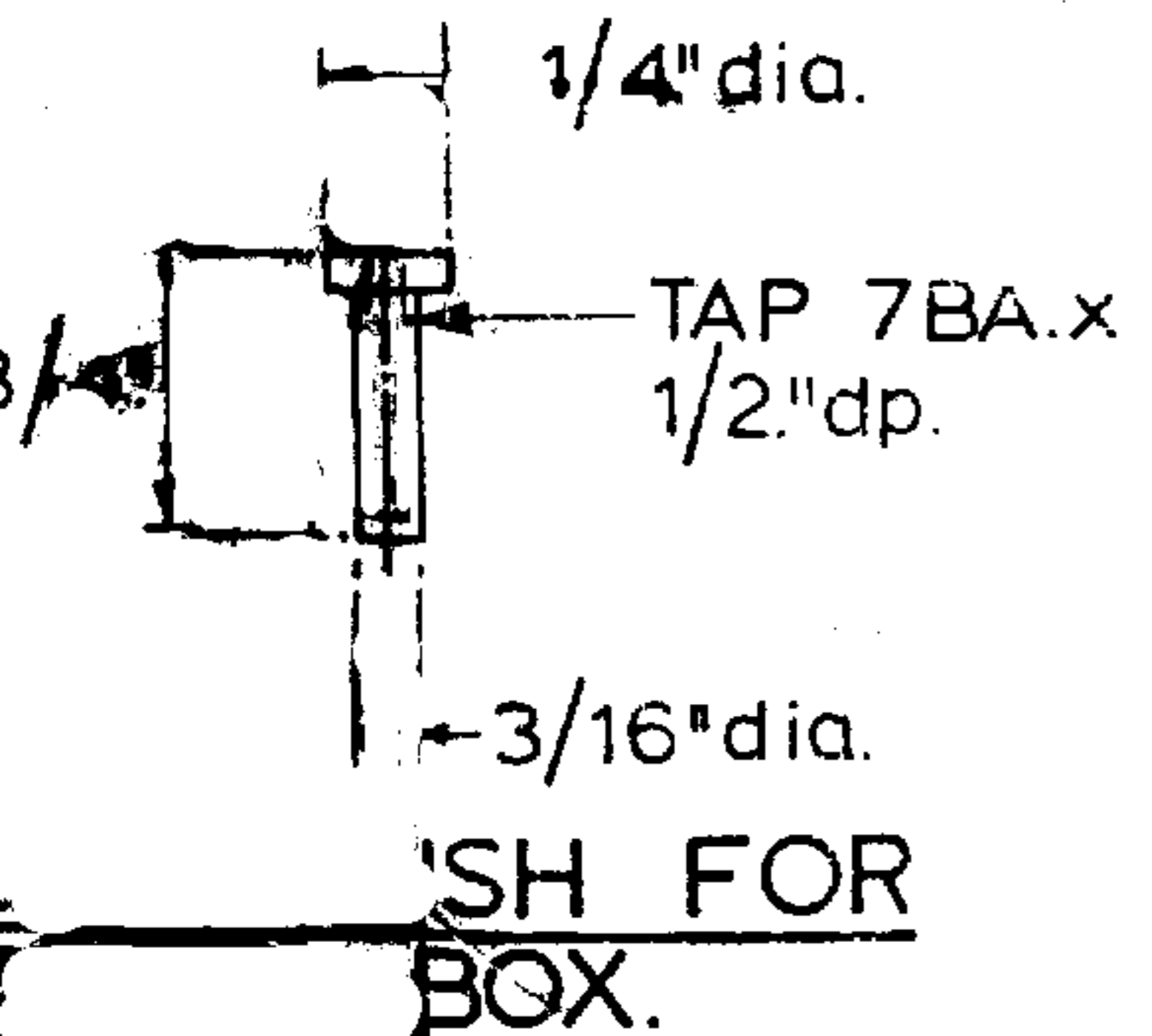
OPERATING ARM 1/8 BRASS

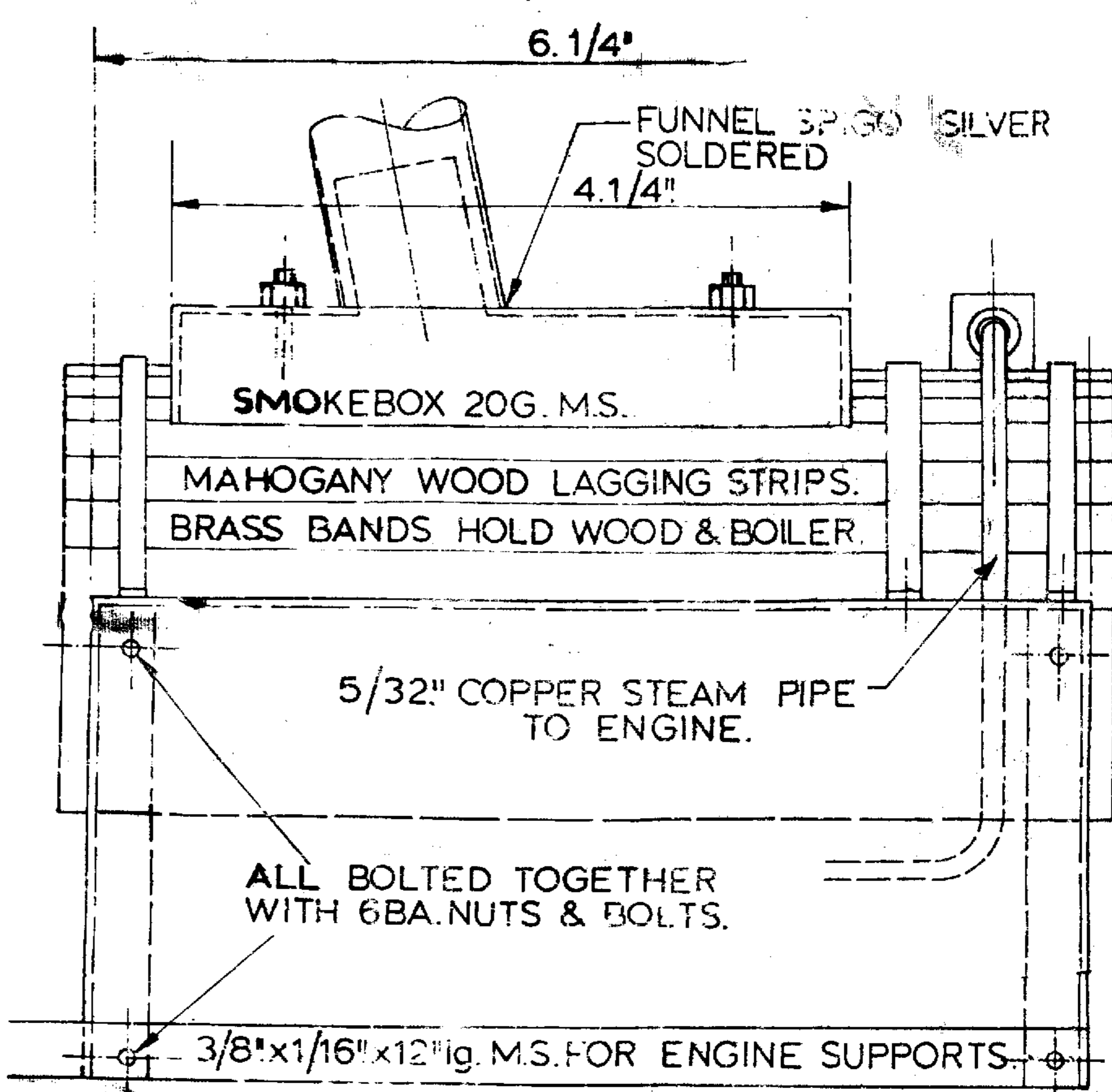
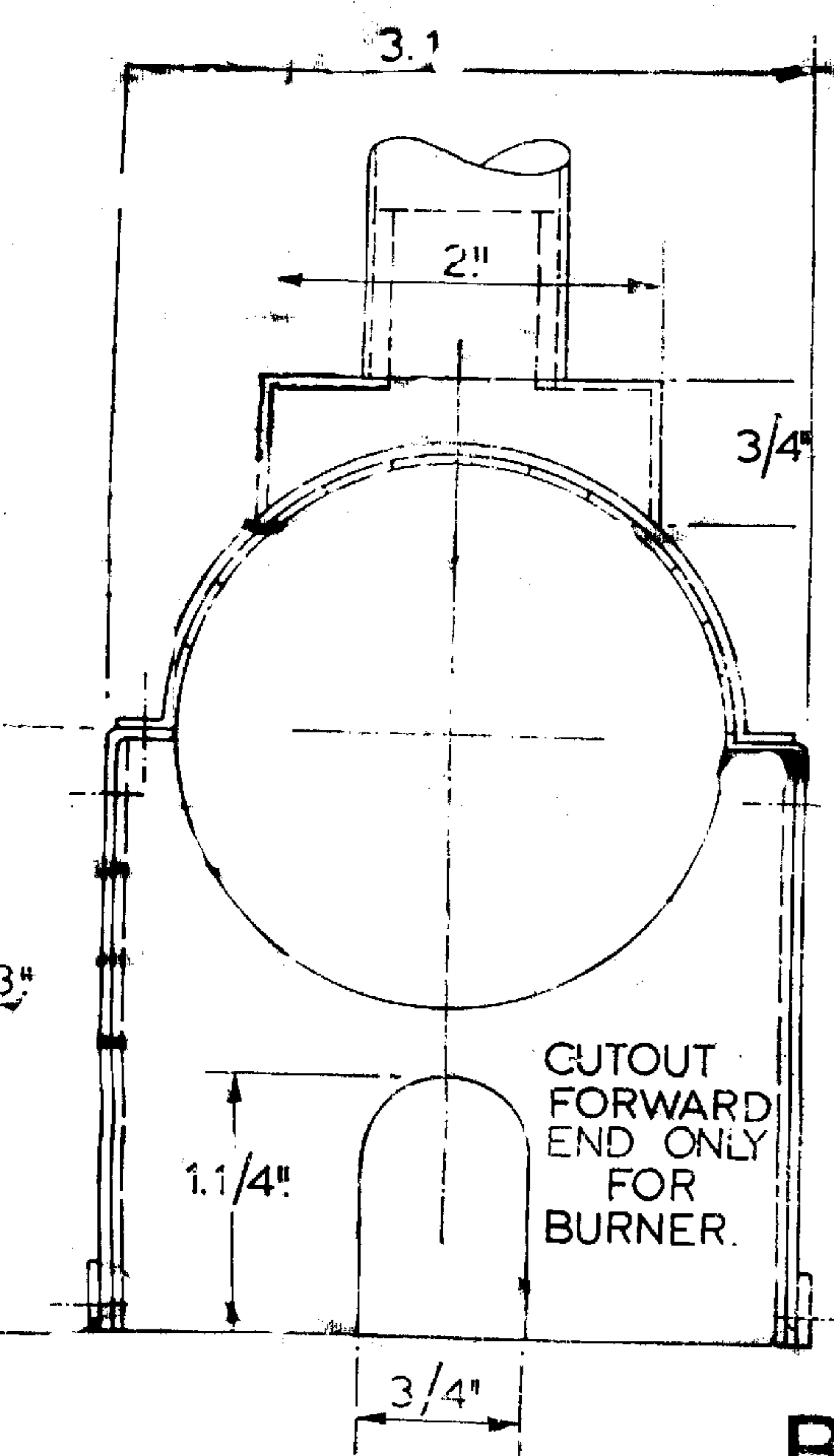


VALVE 1/8 THICK BRONZE



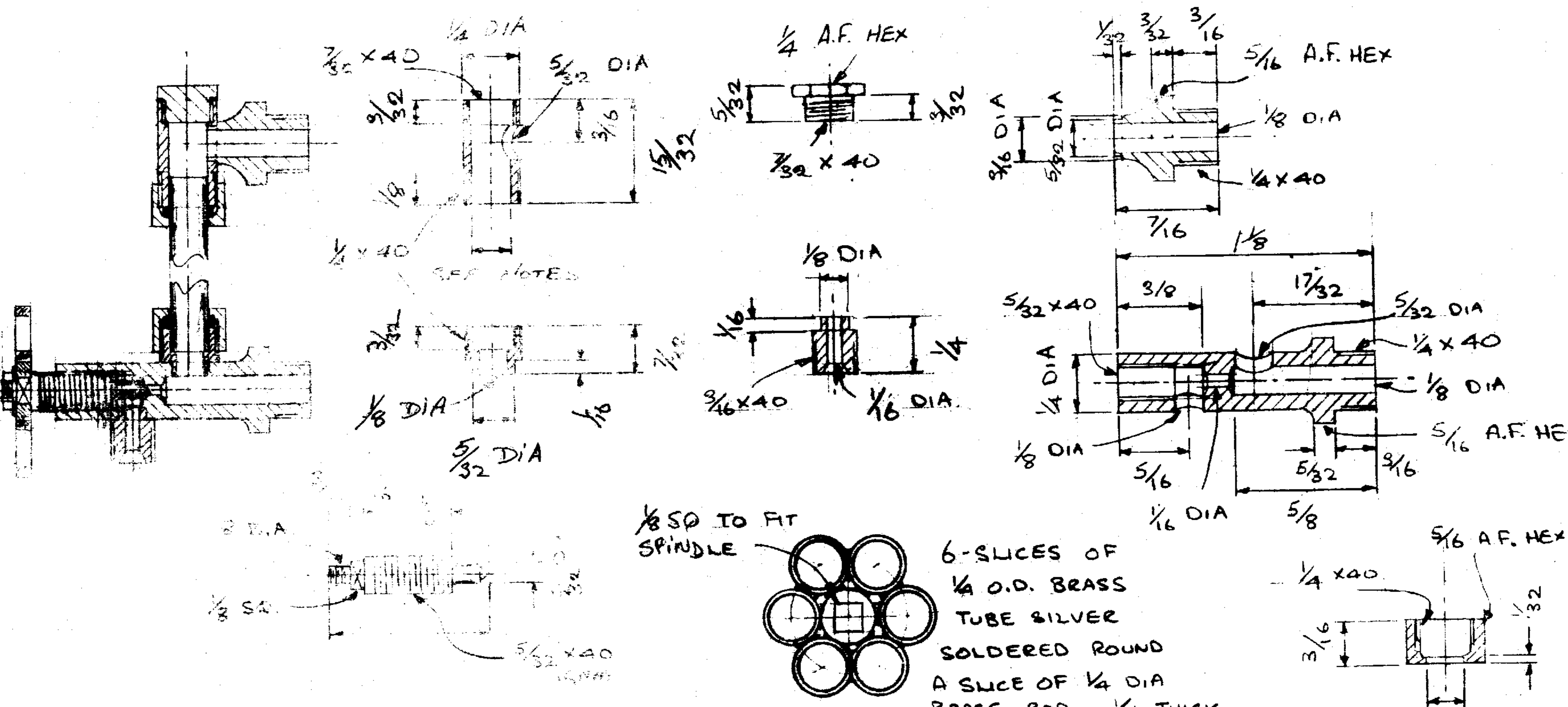
B1





B2

BOILER CASING - 20G. MILD STEEL.



WATER GAUGE

ALL PARTS BRONZE EXCEPT :- SPINDLE - STAINLESS STEEL OR NICKLE SILVER
 :- HANDWHEEL AND GLAND NUTS - BRASS

NOTES

GAUGE GLASS VARIES IN SIZE. ALLOW ABOUT 5 THOU CLEARANCE ON THE DIAMETER
 THIS GAUGE WAS DESIGNED FOR THE SMALLEST 'SCHELLBACH' BLUE LINE GLASS AS SUPPLIED BY
 CAMDEN MINIATURE STEAM SERVICES AND REEVES (3.8 TO 4.8 mm DIA.)
 THE GAUGE IS MADE FROM 1/8 THIN WALL SILICONE TUBE AND THE GLAND
 NUTS DONE UP GENTLY USING ONLY THE FINGERS